

**40** mm sq.

# San Ace 40T



## General Specifications

- Material ..... Frame: Aluminum, Impeller: Plastics (Flammability: UL94V-1)
- Expected Life ..... Refer to specifications (L10:Survival rate:90% at 85°C ,  
rated voltage, and continuously run in a free air state)
- Lead Wire ..... ⊕red ⊖black (Sensor) yellow (Control) brown
- Storage Temperature ..... -40°C to +85°C (Non-condensing)

**40×40×28mm** (Mass : 55g) **9GT type**

## Specifications The following nos. have PWM controls and pulse sensors.

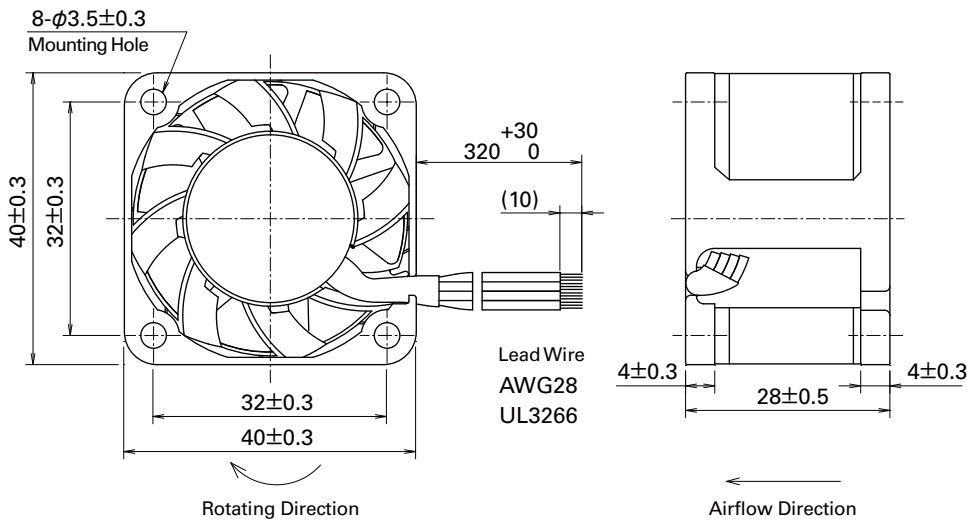
Model No.	Rated Voltage [V]	Operating Voltage Range [V]	PWM duty cycle <sup>Note1)</sup> [%]	Rated Current [A]	Rated Input [W]	Rated Speed [min <sup>-1</sup> ]	Max. Airflow [m <sup>3</sup> /min] [CFM]	Max. Static Pressure [Pa] [inchH <sub>2</sub> O]	SPL [dB(A)]	Operating Temperature [°C]	Expected Life [h]
9GT0412P3J001	12	10.2 to 13.8	100	0.31	3.72	11,700	0.52 18.4	206 0.827	48	-40 to +85	40,000/85°C
			30	0.08	0.96	4,100	0.18 6.36	25.2 0.100	21		
9GT0424P3J001	24	20.4 to 27.6	100	0.15	3.60	11,700	0.52 18.4	206 0.827	48		
			30	0.05	1.20	4,100	0.18 6.36	25.2 0.100	21		

Note : Fan does not rotate when PWM duty cycle is 0%.

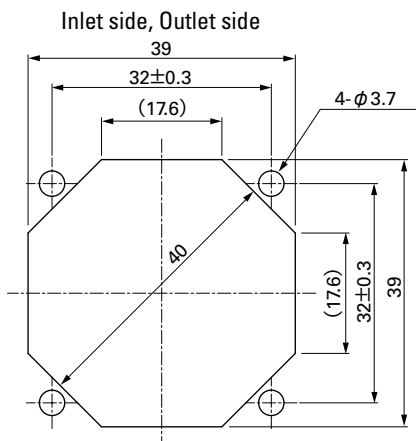
※PWM Frequency : 25kHz

Other sensor specifications are available as options. Please refer to the index (p. 506).

## Dimensions (unit: mm)



## Reference Dimensions of Mounting Holes and Vent Opening (unit: mm)

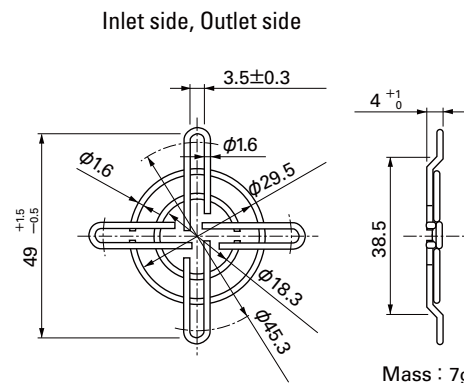


## Options (unit: mm)

### Finger Guards

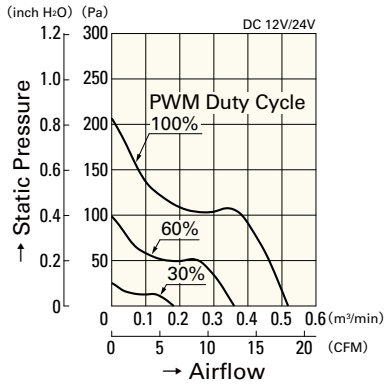
Model : 109-059 Surface treatment : Nickel-chrome plating (silver)  
: 109-059H : Cation electropainting (black)

Color



## Airflow - Static Pressure Characteristics

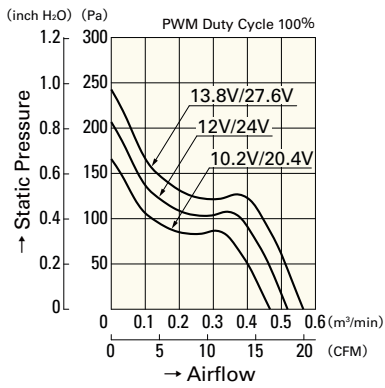
### PWM Duty Cycle



**9GT0412P3J001**

**9GT0424P3J001**

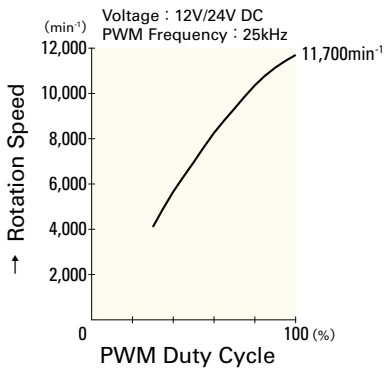
### Operating Voltage Range



**9GT0412P3J001**

**9GT0424P3J001**

## PWM Duty - Speed Characteristics Example



**9GT0412P3J001**

**9GT0424P3J001**

DC

Wide Temperature Range Fan 40mm